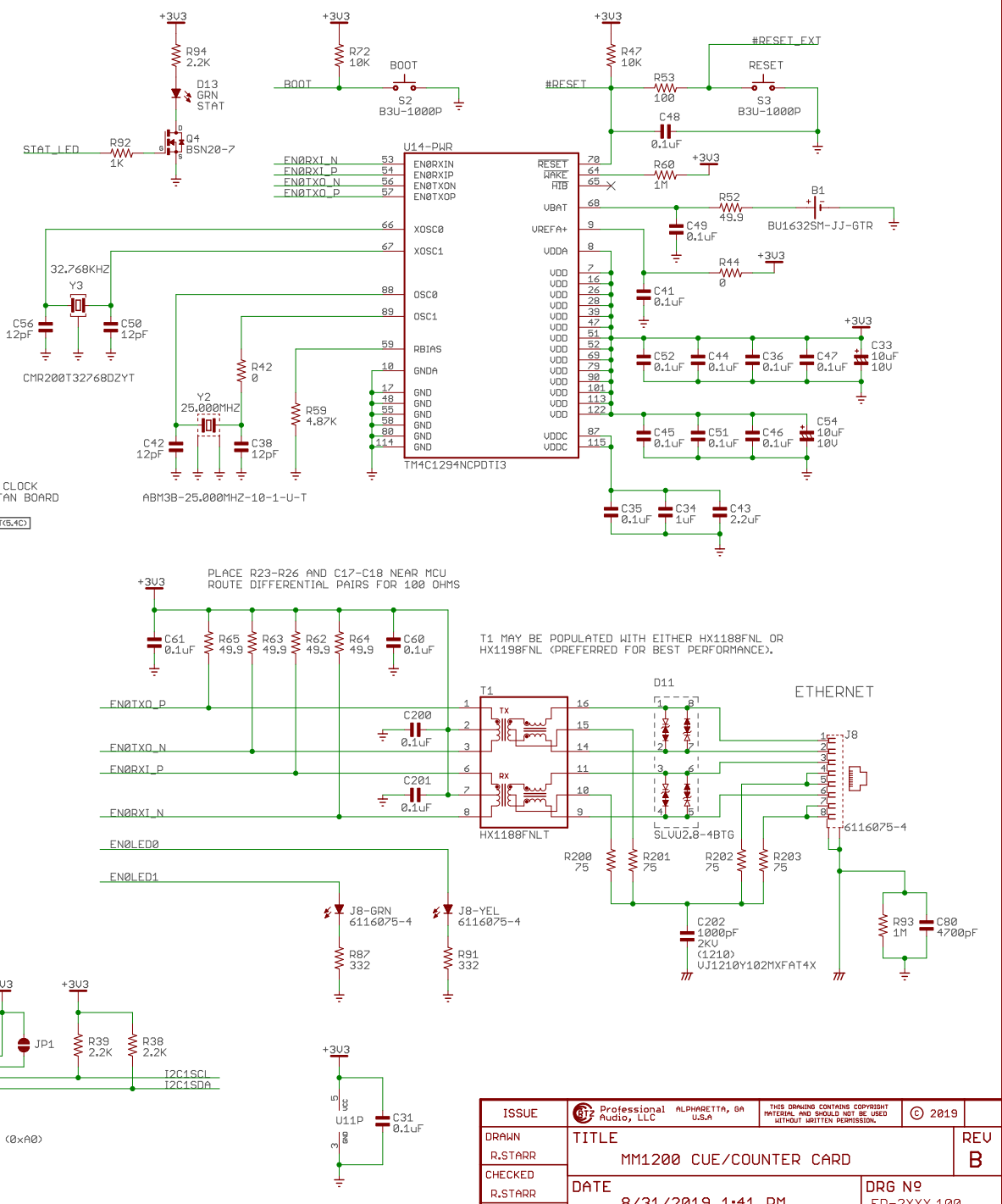
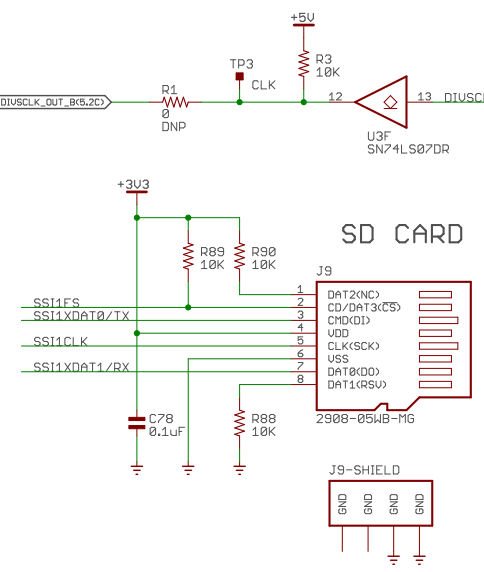
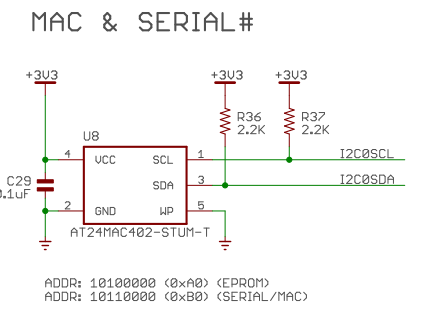
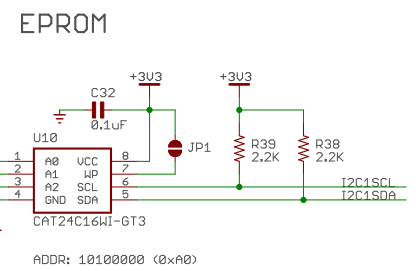
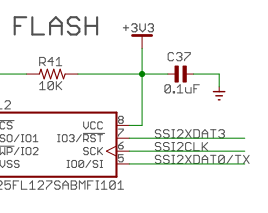
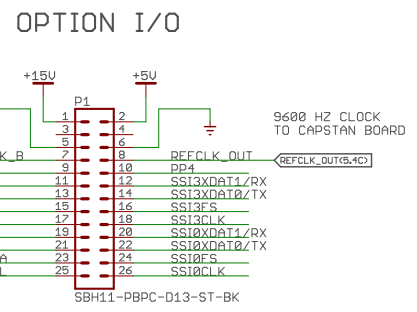
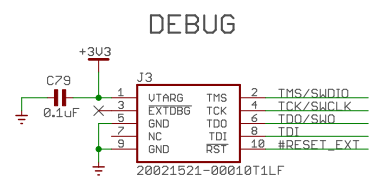
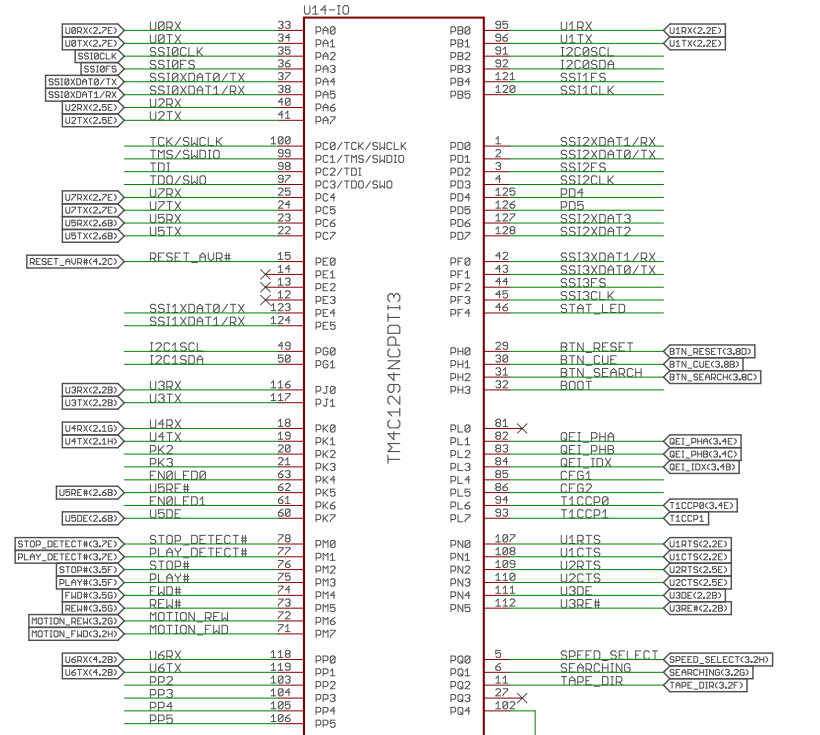


THE INFORMATION CONTAINED IN THIS DRAWING IS THE SOLE PROPERTY OF RTZ PROFESSIONAL AUDIO. ANY REPRODUCTION IN PART OR WHOLE IS STRICTLY PROHIBITED WITHOUT WRITTEN PERMISSION.

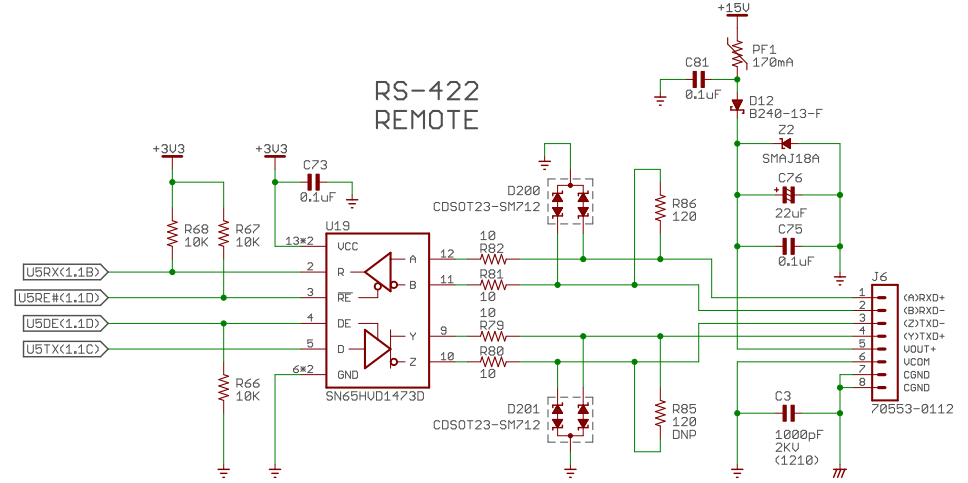
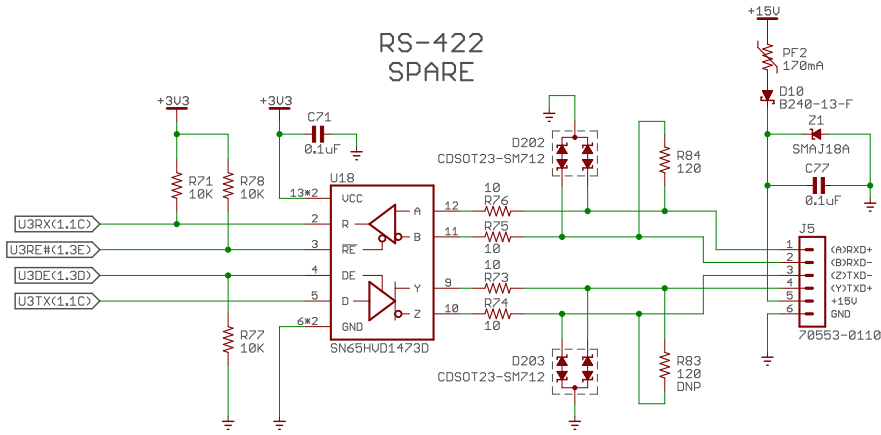
PROPRIETARY



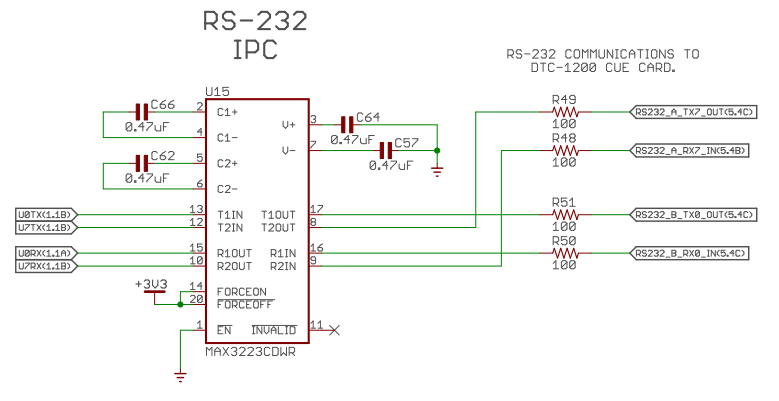
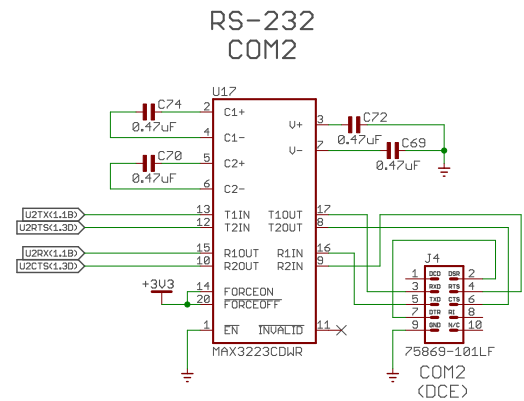
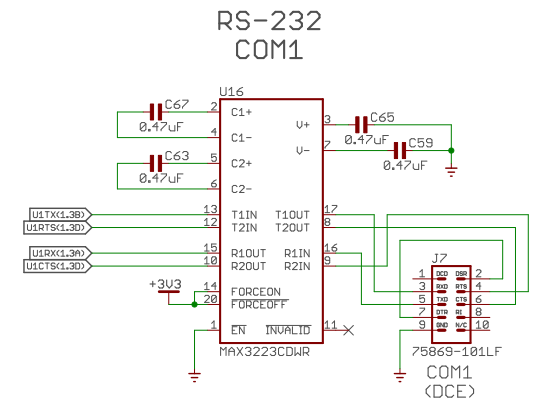
ISSUE	Professional Audio, LLC	ALPHARETTA, GA U.S.A.	THIS DRAWING CONTAINS COPYRIGHT MATERIAL AND SHOULD NOT BE USED WITHOUT WRITTEN PERMISSION.	© 2019
DRAWN	R.STARR	TITLE		REV
CHECKED	R.STARR	MM1200 CUE/COUNTER CARD		B
DATE	8/31/2019 1:41 PM	DRG N°	ED-2XXX.100	
FILE:	STC-1200-B	PAGE:	1/5	

THE INFORMATION CONTAINED IN THIS DRAWING IS THE SOLE PROPERTY OF RTZ PROFESSIONAL AUDIO. ANY REPRODUCTION IN PART OR WHOLE IS STRICTLY PROHIBITED WITHOUT WRITTEN PERMISSION.

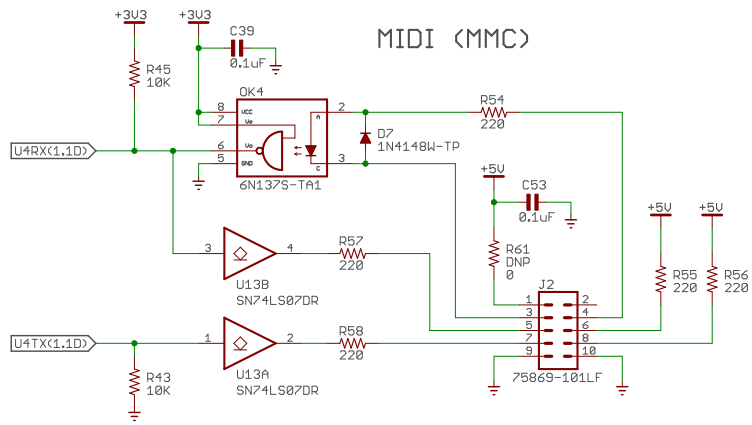
PROPRIETARY



CONN HOUSING
 BOM-PART1
 50-57-9408
 QTY = 1
 CRIMP PIN
 BOM-PART2
 16-02-0097
 QTY = 8

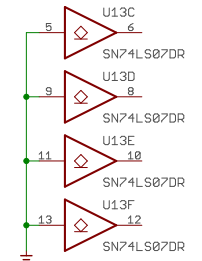


RS-232 COMMUNICATIONS TO
 DTC-1200 CUE CARD.



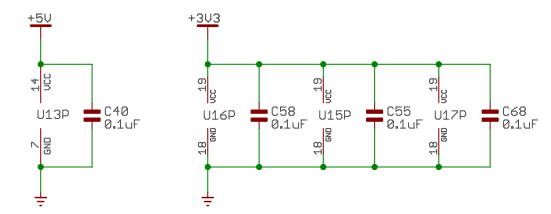
TO MIDI INTERFACE
 CONNECTOR PCB

PIN	DESCRIPTION
1	+5U
2	N/C
3	MIDI_IN-
4	MIDI_IN+
5	MIDI_THRU-
6	MIDI_THRU+
7	MIDI_OUT-
8	MIDI_OUT+
9	GND
10	GND



DB-9 IDC RIBBON CABLE
 CONNECTOR 8309-6000
 IDC RIBBON CABLE
 CONNECTOR 71600-110LF

RS-232 (DCE)	DB9	IDC
DCD (OUT)	1	1
RXD (OUT)	2	3
TXD (IN)	3	5
DTR (IN)	4	7
GND	5	9
DSR (OUT)	6	2
RTS (IN)	7	4
CTS (OUT)	8	6
RI (OUT)	9	8

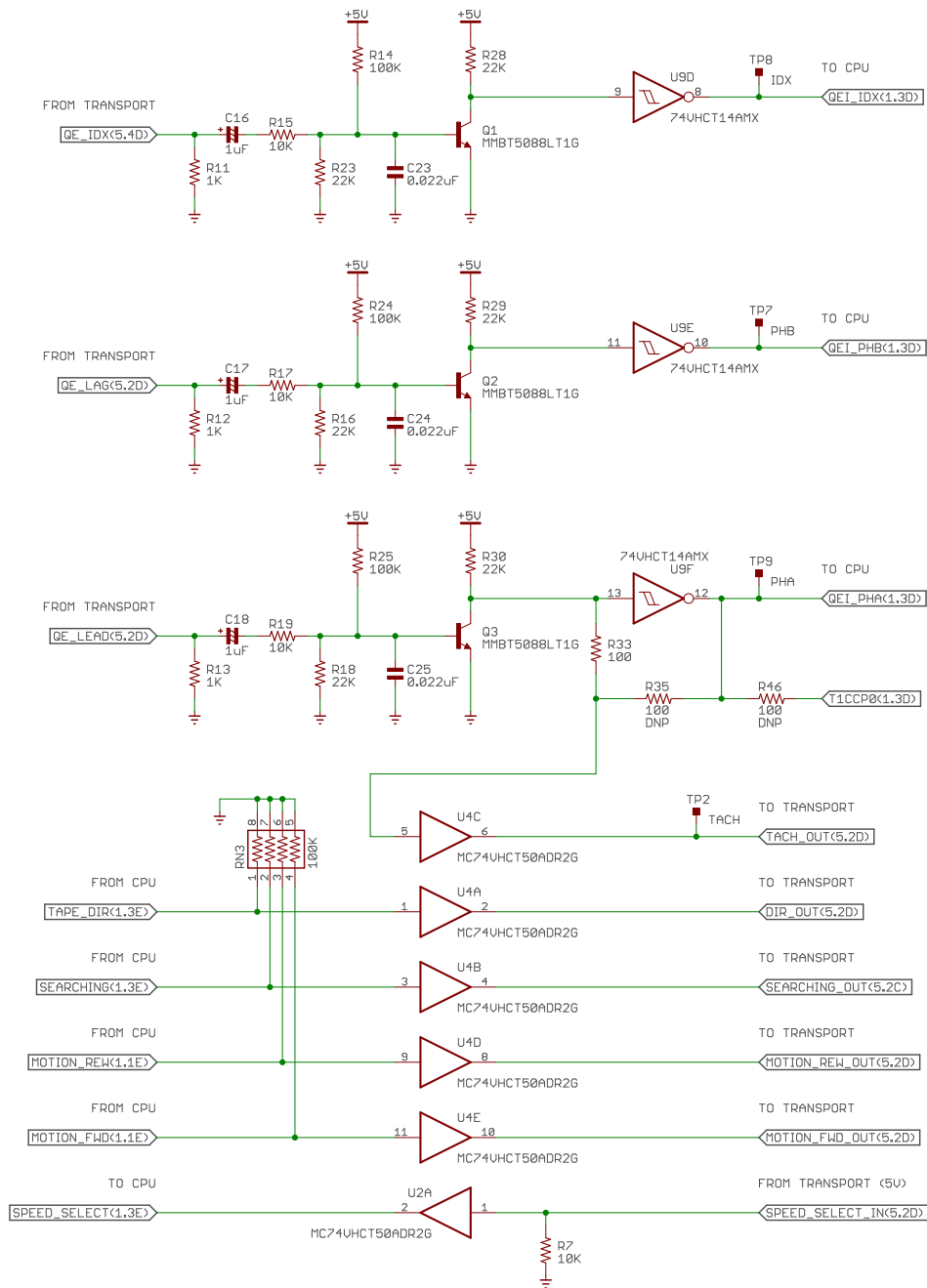


ISSUE	Professional Audio, LLC	ALPHARETTA, GA U.S.A.	THIS DRAWING CONTAINS COPYRIGHT MATERIAL AND SHOULD NOT BE USED WITHOUT WRITTEN PERMISSION.	© 2019
DRAWN R.STARR	TITLE COMMUNICATIONS			REV B
CHECKED R.STARR	DATE 8/31/2019 1:41 PM		DRG No ED-2XXX.100	
DATE xx/xx/xx	FILE: STC-1200-B		PAGE: 2/5	

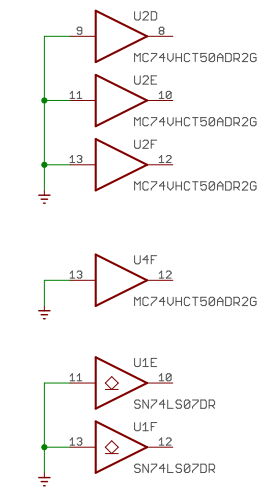
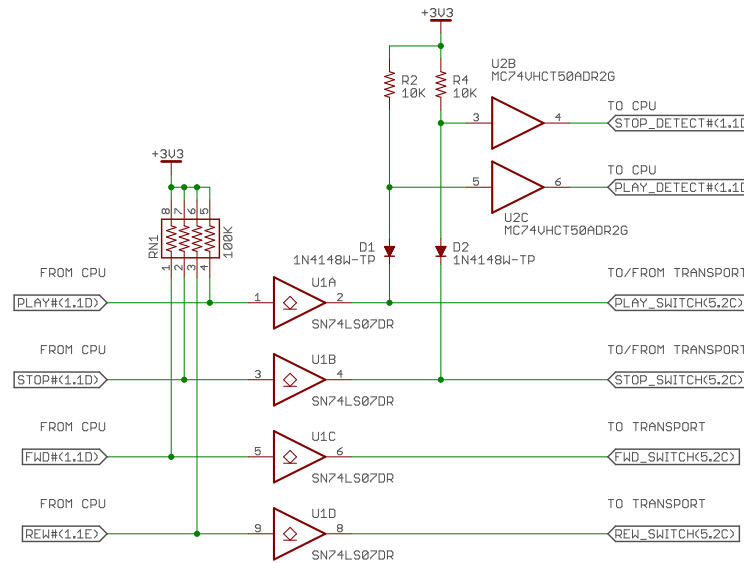
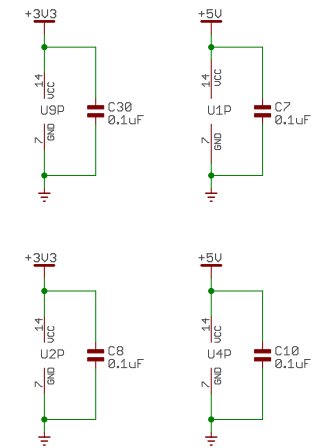
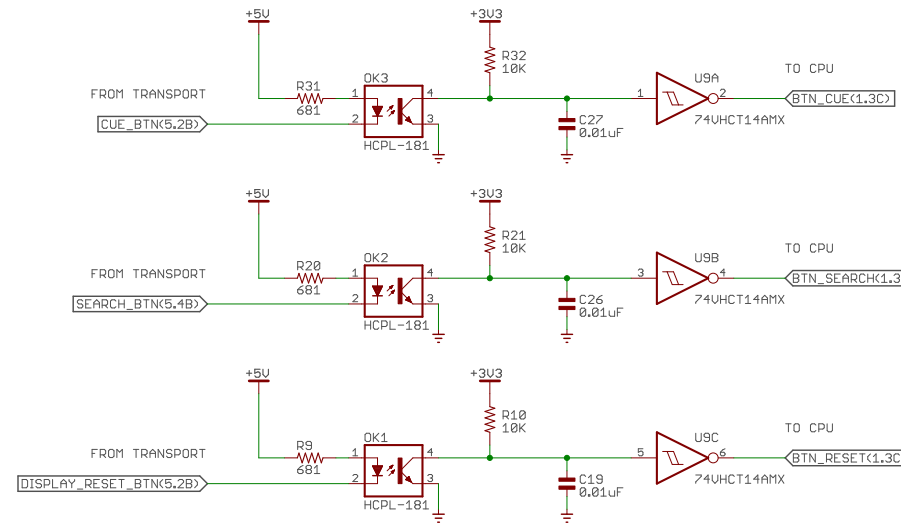
THE INFORMATION CONTAINED IN THIS DRAWING IS THE SOLE PROPERTY OF RTZ PROFESSIONAL AUDIO. ANY REPRODUCTION IN PART OR WHOLE IS STRICTLY PROHIBITED WITHOUT WRITTEN PERMISSION.

PROPRIETARY

QUADRATURE INPUT BUFFER



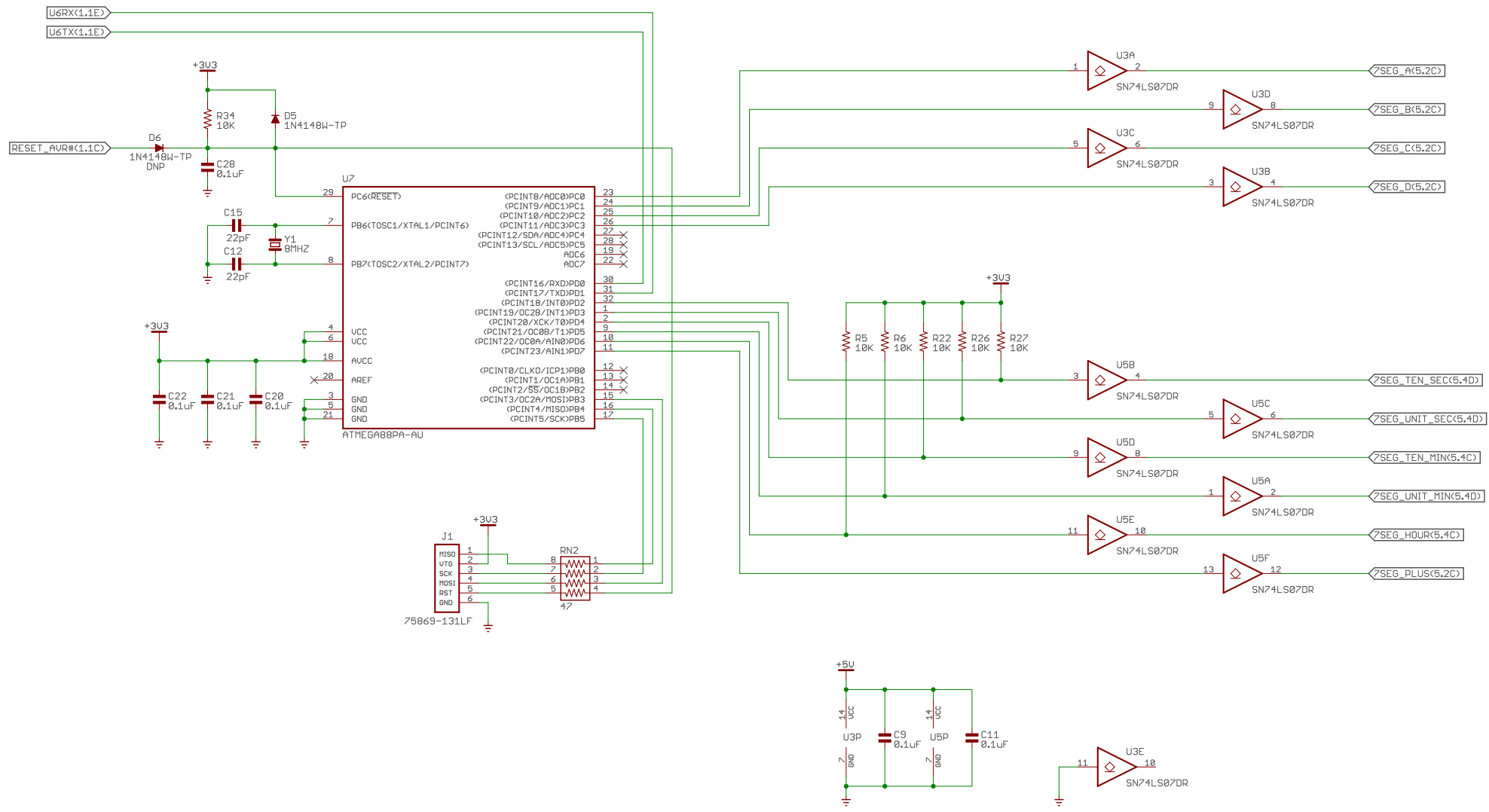
CUE/SEARCH/RESET BUTTON INTERFACE



ISSUE	Professional Audio, LLC	ALPHARETTA, GA U.S.A.	THIS DRAWING CONTAINS COPYRIGHT MATERIAL AND SHOULD NOT BE USED WITHOUT WRITTEN PERMISSION.	© 2019
DRAWN	R.STARR	TITLE		REV
CHECKED	R.STARR	TRANSPORT INTERFACE		B
DATE	8/31/2019 1:41 PM	DRG No	ED-2XXX.100	
FILE:	STC-1200-B	PAGE:	3/5	

THE INFORMATION CONTAINED IN THIS DRAWING IS THE SOLE PROPERTY OF RTZ PROFESSIONAL AUDIO. ANY REPRODUCTION IN PART OR WHOLE IS STRICTLY PROHIBITED WITHOUT WRITTEN PERMISSION.

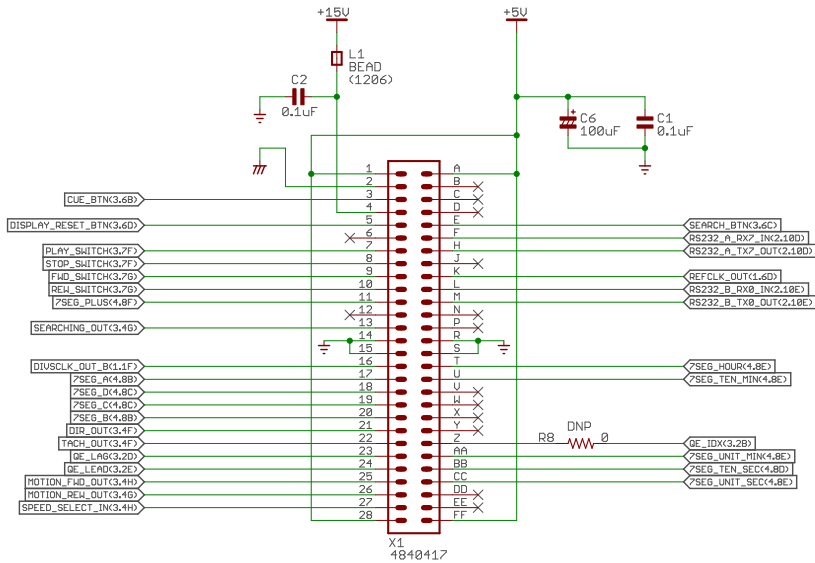
PROPRIETARY



ISSUE	RTZ Professional Audio, LLC	ALPHARETTA, GA U.S.A	THIS DRAWING CONTAINS COPYRIGHT MATERIAL AND SHOULD NOT BE USED WITHOUT WRITTEN PERMISSION.	© 2019
DRAWN	R.STARR	TITLE		REV
CHECKED	R.STARR	BCD 7-SEG DISPLAY MUX DRIVER		B
DATE	8/31/2019 1:41 PM	DRG N°	ED-2XXX.100	
FILE:	STC-1200-B	PAGE:	4/5	

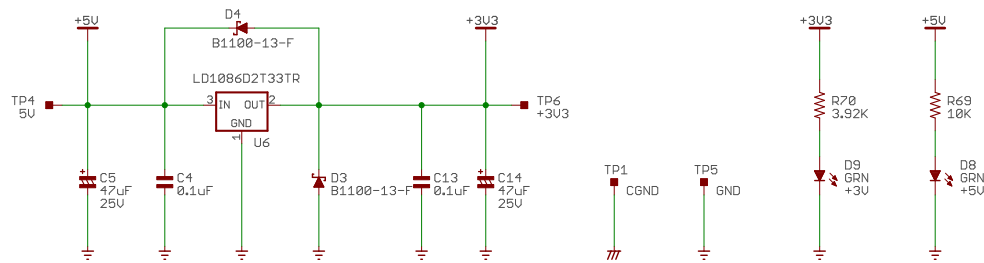
THE INFORMATION CONTAINED IN THIS DRAWING IS THE SOLE PROPERTY OF RTZ PROFESSIONAL AUDIO. ANY REPRODUCTION IN PART OR WHOLE IS STRICTLY PROHIBITED WITHOUT WRITTEN PERMISSION.

PROPRIETARY



PCB 4840417 EDGE CARD SIGNALS

PIN	DIR	DESCRIPTION	PIN	DIR	DESCRIPTION
1	PWR	+5V	A	PWR	+5V
2	PWR	GND (<15V COMMON>)	B	---	---
3	INP	CUE BUTTON (0=CUE)	C	---	---
4	PWR	+15V	D	---	---
5	INP	DISPLAY RESET BUTTON (0=RESET)	E	INP	SEARCH BUTTON (0=SEARCH)
6	---	---	F	I/O	(RS-232 RX7 FROM DTC-1200)
7	PU	PLAY SWITCH (0=PLAY)	H	I/O	(RS-232 TX7 TO DTC-1200)
8	PU	STOP SWITCH (0=STOP)	J	---	(RESERVED FOR FUTURE USE)
9	PU	FWD SWITCH (0=FFWD)	K	---	(RESERVED FOR FUTURE USE)
10	PU	REW SWITCH (0=REW)	L	---	(RS-232 RX0 FROM DTC-1200)
11	PU	7-SEG PLUS SIGN (0=PLUS LED)	M	---	(RS-232 TX0 TO DTC-1200)
12	PU	PLAY LAMP (0=LAMP ON)	N	---	---
13	OUT	SEARCHING (0=SEARCH)	P	---	---
14	PWR	GND (<5V COMMON>)	R	PWR	GND (<5V COMMON>)
15	PWR	GND (<5V COMMON>)	S	PWR	GND (<5V COMMON>)
16	OUT	CLOCK OUT (OPTION)	T	OUT	7-SEG (0=HR)
17	OUT	7-SEG BCD-A (0=2^0)	U	OUT	7-SEG (0=TEN, MIN)
18	OUT	7-SEG BCD-D (1=2^3)	V	---	---
19	OUT	7-SEG BCD-C (1=2^2)	W	---	---
20	OUT	7-SEG BCD-B (1=2^1)	X	---	---
21	OUT	DIRECTION (1=FWD/0=REW)	Y	---	---
22	OUT	TACH OUT	Z	---	(RESERVED FOR FUTURE QEI USE)
23	INP	FROM QUAD ENCODER (LAG)	AA	OUT	7-SEG (UNITS, MIN)
24	INP	FROM QUAD ENCODER (LEAD)	BB	OUT	7-SEG (TEN, SEC)
25	OUT	MOTION SENSE OUT (0=FWD)	CC	OUT	7-SEG (UNITS, SEC)
26	OUT	MOTION SENSE OUT (0=REW)	DD	PU	REW LAMP
27	INP	SPEED SELECT (1=HI-SPEED)	EE	PU	FWD LAMP
28	PWR	+5V	FF	PWR	+5V



UART	UART PORT MAPPING
UART0	RS-232 TTY/CONSOLE/DEBUG PORT
UART1	RS-232 SERIAL PORT COM1
UART2	RS-232 SERIAL PORT COM2
UART3	BLUE TOOTH MODULE
UART4	MIDI IN/OUT PORT
UART5	RS-422 TO DRC1200 REMOTE
UART6	IPC TO ATMEG88 DISPLAY MUX
UART7	IPC TO DTC-1200 CONTROLLER

SSI	SPI PORT MAPPING
SSI0	SPI TO EXPANSION SLOT (NCO)
SSI1	SD MEMORY CARD
SSI2	FLASH MEMORY S25FL127
SSI3	SPI EXPANSION PORT

I2C	I2C PORT MAPPING
I2C0	EPROM/ID MEMORY AT24CS01
I2C1	EPROM MEMORY CAT24C16



ISSUE	Professional Audio, LLC	ALPHARETTA, GA U.S.A.	THIS DRAWING CONTAINS COPYRIGHT MATERIAL AND SHOULD NOT BE USED WITHOUT WRITTEN PERMISSION.	© 2019
DRAWN R.STARR	TITLE INTERFACE / POWER			REV B
CHECKED R.STARR	DATE 8/31/2019 1:41 PM		DRG N° ED-2XXX.100	
DATE XX/XX/XX	FILE: STC-1200-B		PAGE: 5/5	