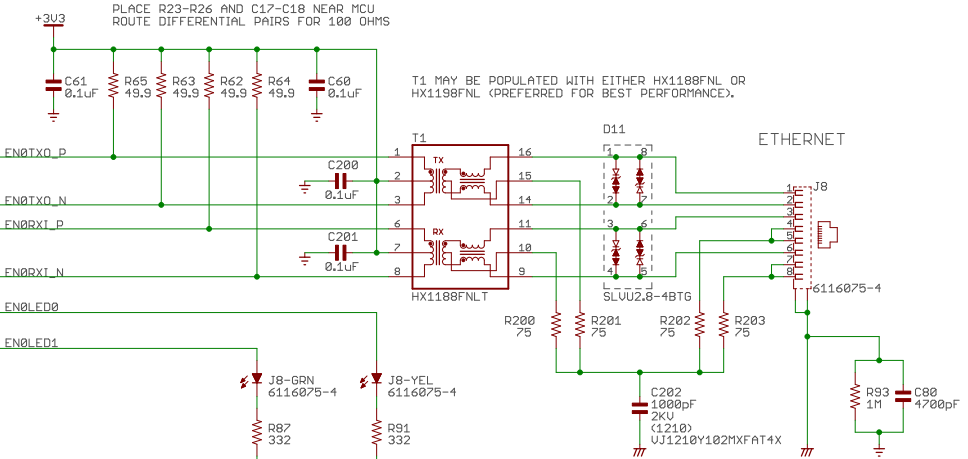
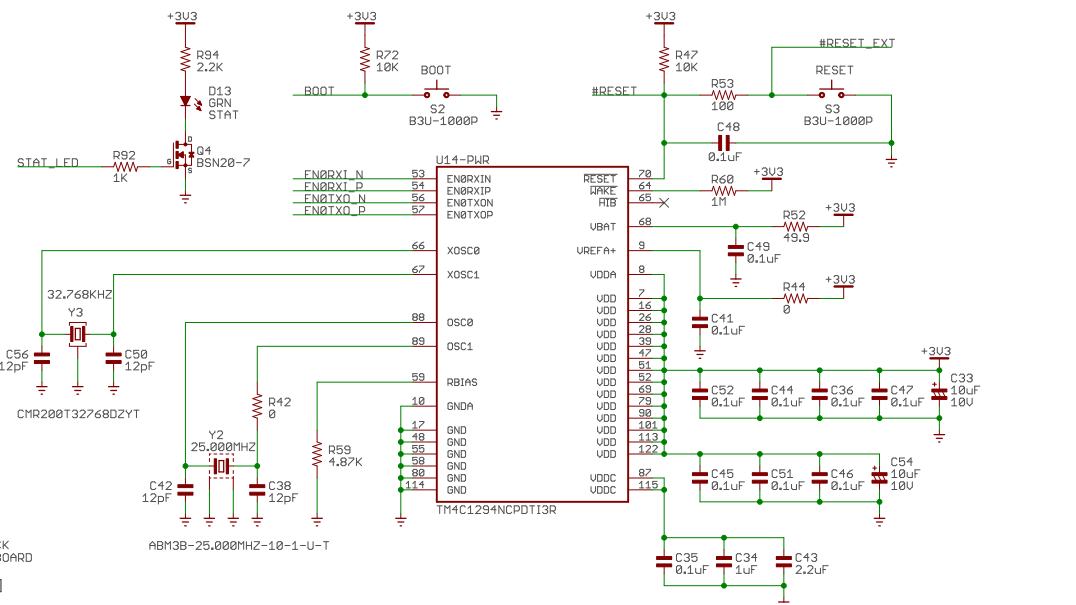
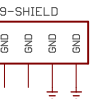
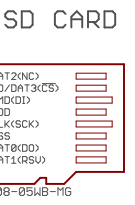
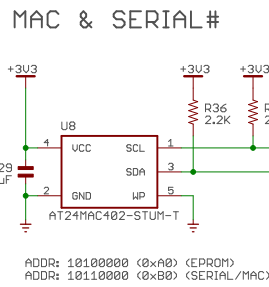
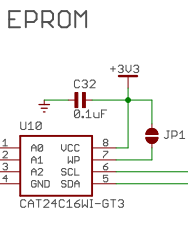
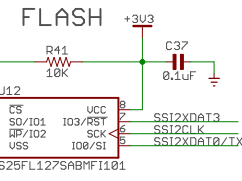
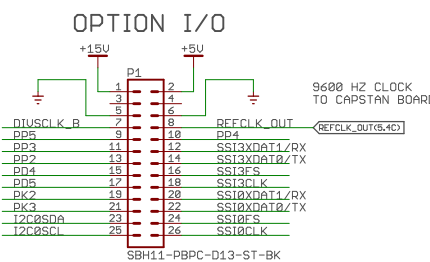
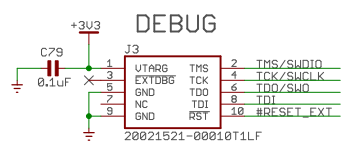
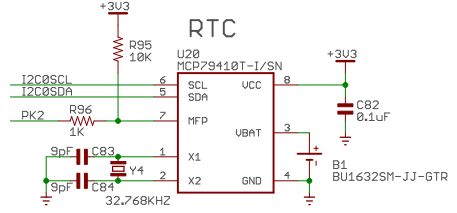
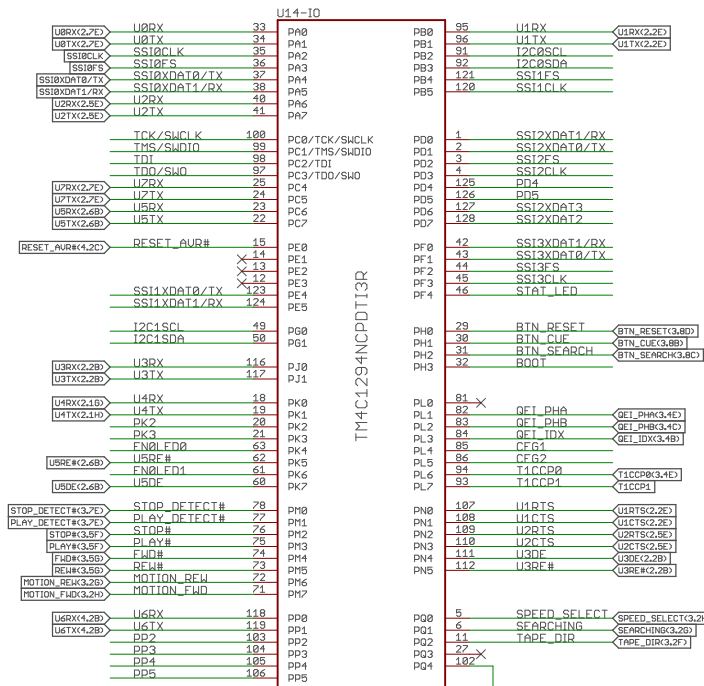


THE INFORMATION CONTAINED IN THIS DRAWING IS THE SOLE PROPERTY OF RT2 PROFESSIONAL AUDIO. ANY REPRODUCTION IN PART OR WHOLE IS STRICTLY PROHIBITED WITHOUT WRITTEN PERMISSION.

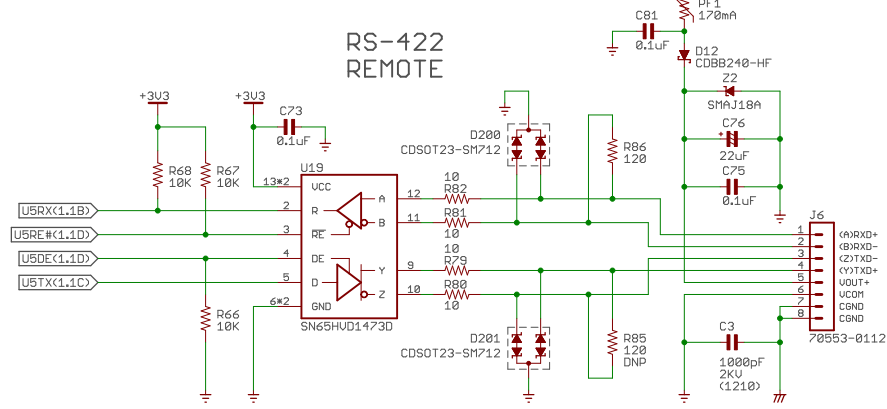
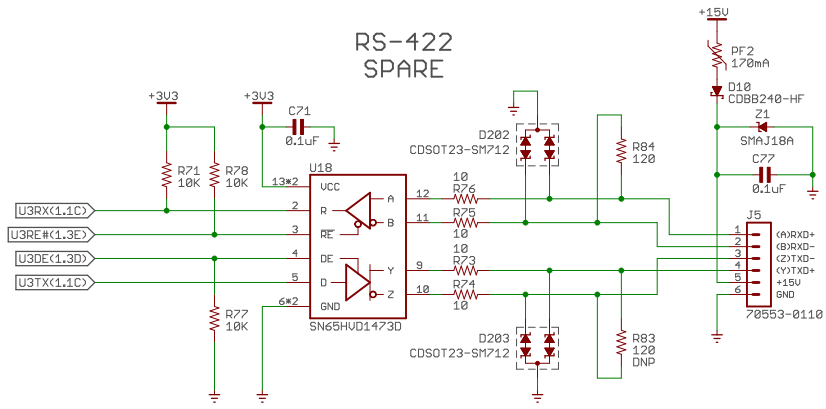
PROPRIETARY



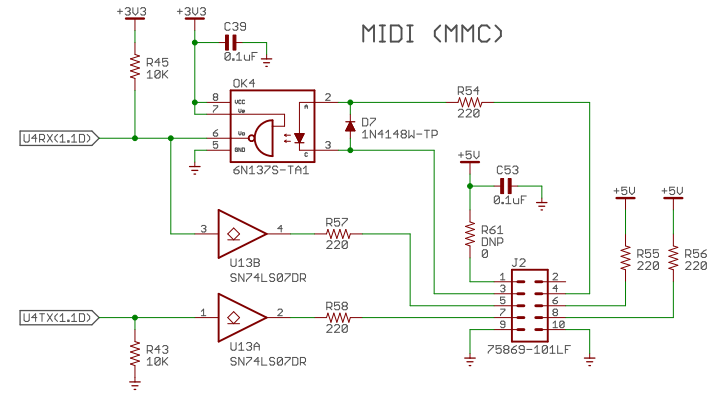
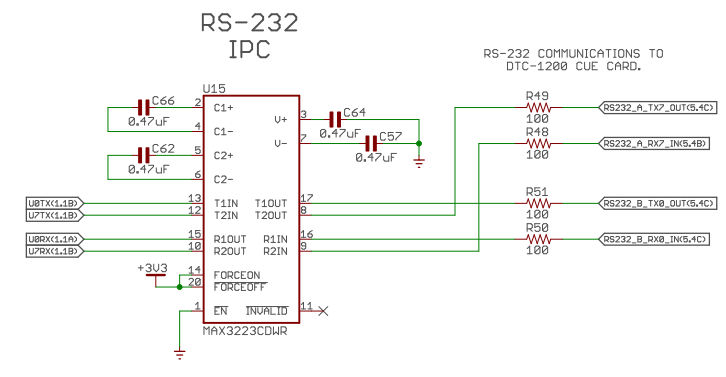
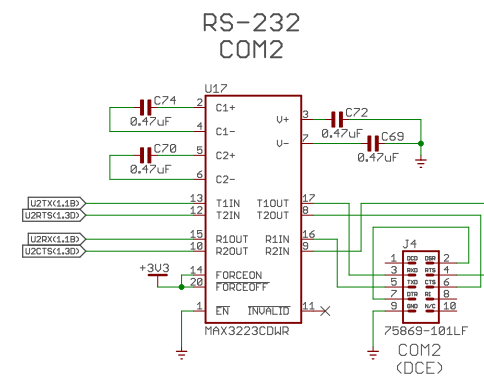
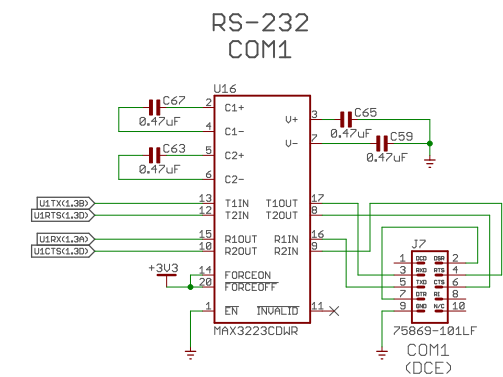
ISSUE	Professional Audio, LLC	ALPHARETTA, GA U.S.A.	THIS DRAWING CONTAINS COPYRIGHT MATERIAL AND SHOULD NOT BE USED WITHOUT WRITTEN PERMISSION.	© 2019
DRAWN	R.STARR	TITLE	MM1200 CUE/COUNTER CARD	REV
CHECKED	R.STARR	DATE	9/13/2021 5:00 PM	DRG NO
DATE	xx/xx/xx	FILE:	STC-1200-C	ED-2XXX.100
				PAGE: 1/5

THE INFORMATION CONTAINED IN THIS DRAWING IS THE SOLE PROPERTY OF RT2 PROFESSIONAL AUDIO. ANY REPRODUCTION IN PART OR WHOLE IS STRICTLY PROHIBITED WITHOUT WRITTEN PERMISSION.

PROPRIETARY

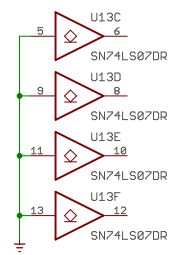


- CONN HOUSING
- BOM-PART1
- 50-57-9408
- QTY = 1
- CRIMP PIN
- BOM-PART2
- 16-02-0097
- QTY = 8



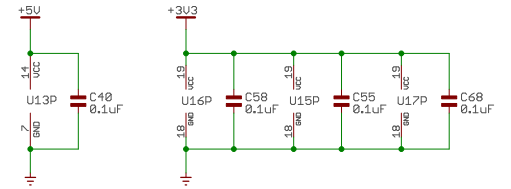
TO MIDI INTERFACE CONNECTOR PCB

PIN	DESCRIPTION
1	+5V
2	N/C
3	MIDI_IN-
4	MIDI_IN+
5	MIDI_THRU-
6	MIDI_THRU+
7	MIDI_OUT-
8	MIDI_OUT+
9	GND
10	GND



DB-9 IDC RIBBON CABLE CONNECTOR 8309-6000
IDC RIBBON CABLE CONNECTOR 71600-110LF

RS-232 (DCE)	DB9	IDC
DCD (OUT)	1	4
RXD (OUT)	2	5
TXD (IN)	3	2
DTR (IN)	4	3
DSR (OUT)	6	6
RTS (IN)	7	7
CTS (OUT)	8	8
RI (OUT)	9	9



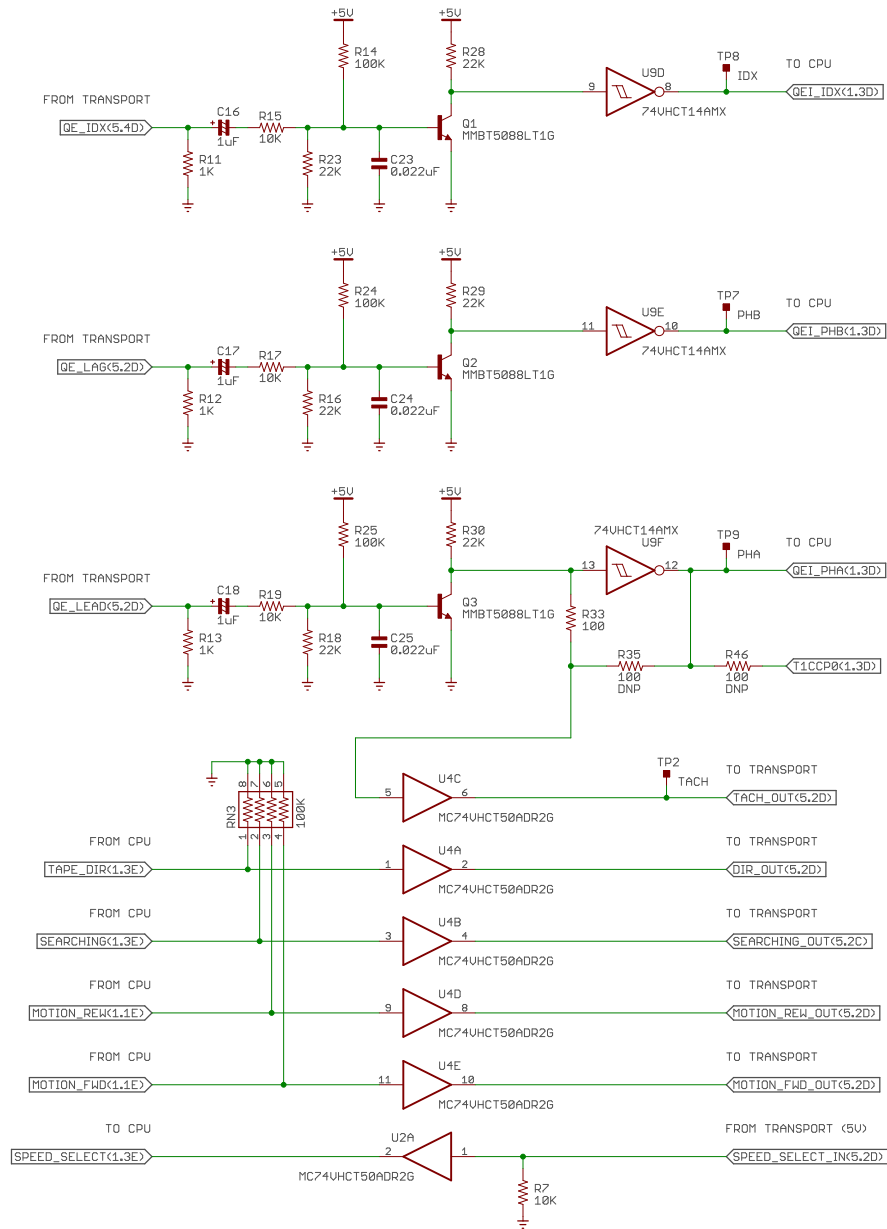
ISSUE	Professional Audio, LLC ALPHARETTA, GA U.S.A	THIS DRAWING CONTAINS COPYRIGHT MATERIAL AND SHOULD NOT BE USED WITHOUT WRITTEN PERMISSION.	© 2019
DRAWN	R.STARR	TITLE	COMMUNICATIONS
CHECKED	R.STARR	DATE	9/13/2021 5:00 PM
DATE	xx/xx/xx	DRG No	ED-2XXX.100
		FILE:	STC-1200-C
		PAGE:	2/5

REV C

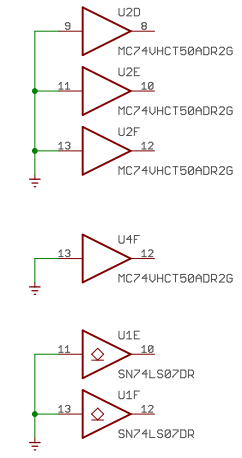
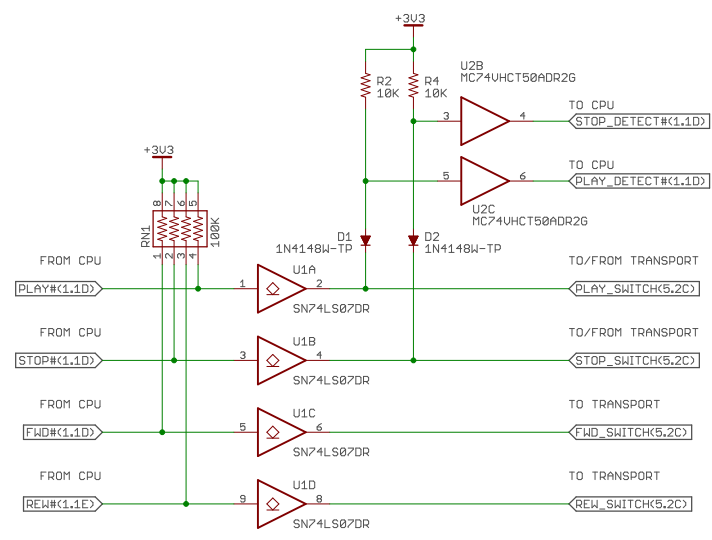
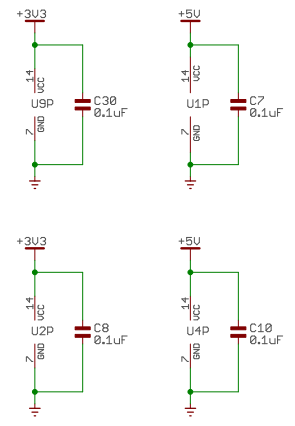
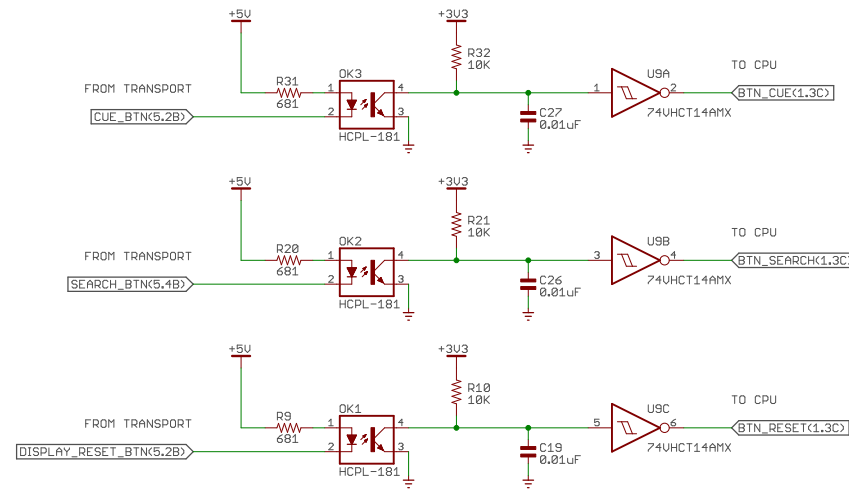
THE INFORMATION CONTAINED IN THIS DRAWING IS THE SOLE PROPERTY OF RT2 PROFESSIONAL AUDIO. ANY REPRODUCTION IN PART OR WHOLE IS STRICTLY PROHIBITED WITHOUT WRITTEN PERMISSION.

PROPRIETARY

QUADRATURE INPUT BUFFER



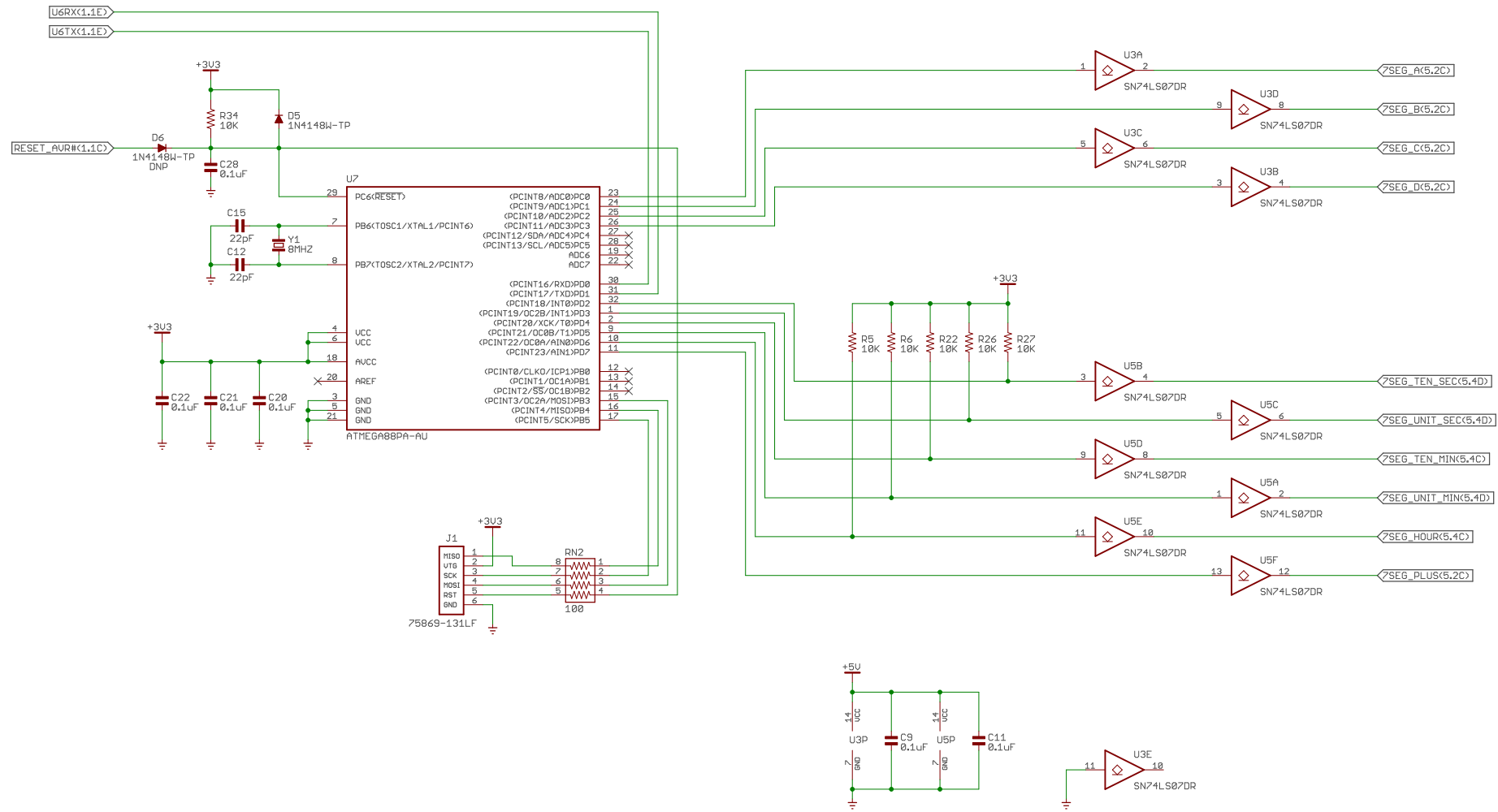
CUE/SEARCH/RESET BUTTON INTERFACE



ISSUE	Professional Audio, LLC ALPHA, GA U.S.A	THIS DRAWING CONTAINS COPYRIGHT MATERIAL. THIS SHOULD NOT BE USED WITHOUT WRITTEN PERMISSION.	© 2019
DRAWN R.STARR	TITLE TRANSPORT INTERFACE		REV C
CHECKED R.STARR	DATE 9/13/2021 5:00 PM	DRG NO ED-2XXX.100	
DATE XX/XX/XX	FILE: STC-1200-C	PAGE: 3/5	

THE INFORMATION CONTAINED IN THIS DRAWING IS THE SOLE PROPERTY OF RT2 PROFESSIONAL AUDIO. ANY REPRODUCTION IN PART OR WHOLE IS STRICTLY PROHIBITED WITHOUT WRITTEN PERMISSION.

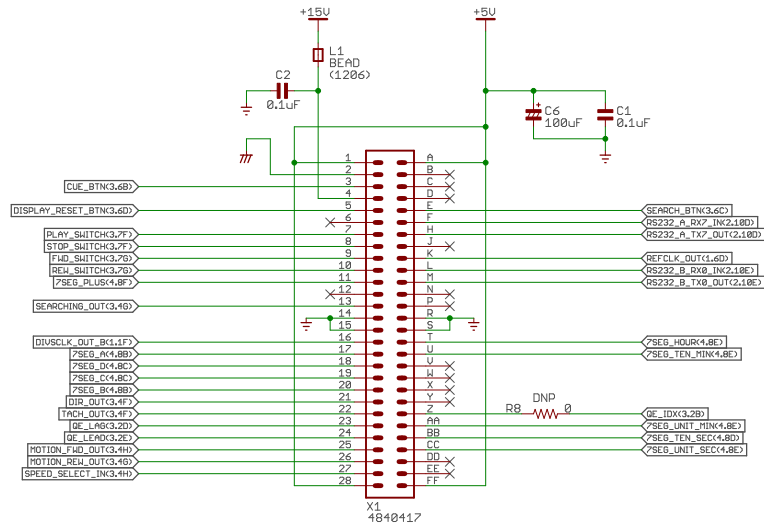
PROPRIETARY



ISSUE	Professional Audio, LLC	ALPHARETTA, GA U.S.A	THIS DRAWING CONTAINS COPYRIGHT MATERIAL. THIS SHOULD NOT BE USED WITHOUT WRITTEN PERMISSION.	© 2019
DRAWN	R.STARR			REV
CHECKED	R.STARR			C
DATE	9/13/2021 5:00 PM		DRG No	ED-2XXX.100
FILE: STC-1200-C	PAGE: 4/5			

THE INFORMATION CONTAINED IN THIS DRAWING IS THE SOLE PROPERTY OF RTZ PROFESSIONAL AUDIO. ANY REPRODUCTION IN PART OR WHOLE IS STRICTLY PROHIBITED WITHOUT WRITTEN PERMISSION.

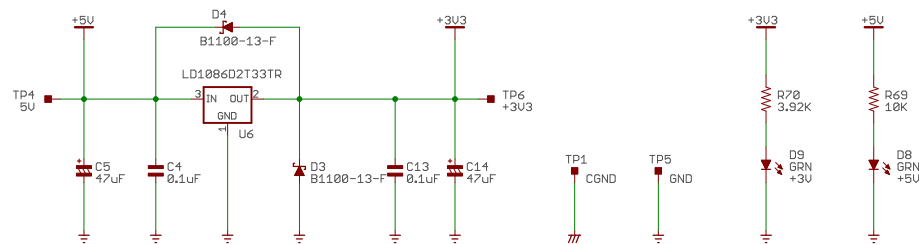
PROPRIETARY



THE ROLLER ENCODER UPGRADE USES US-DIGITAL PART# HUDDISK-1-200-313-IE FOR THE ENCODER DISK AND ENCODER MODULE PART# EM1-1-200-1

PCB 4840417 EDGE CARD SIGNALS

PIN	DIR	DESCRIPTION	PIN	DIR	DESCRIPTION
1	PWR	+5U	A	PWR	+5U
2	PWR	GND (15U COMMON)	B	---	---
3	INP	CUE BUTTON (0=CUE)	C	---	---
4	PWR	+15U	D	---	---
5	INP	DISPLAY RESET BUTTON (0=RESET)	E	INP	SEARCH BUTTON (0=SEARCH)
6	---	---	F	I/O	(RS-232 RX7 FROM DTC-1200)
7	PU	PLAY SWITCH (0=PLAY)	H	I/O	(RS-232 TX7 TO DTC-1200)
8	PU	STOP SWITCH (0=STOP)	J	---	(RESERVED FOR FUTURE USE)
9	PU	FWD SWITCH (0=FFWD)	K	---	(RESERVED FOR FUTURE USE)
10	PU	REW SWITCH (0=REW)	L	---	(RS-232 RX0 FROM DTC-1200)
11	PU	7-SEG PLUS SIGN (0=PLUS LED)	M	---	(RS-232 TX0 TO DTC-1200)
12	PU	PLAY LAMP (0=LAMP ON)	N	---	---
13	OUT	SEARCHING (0=SEARCH)	P	---	---
14	PWR	GND (5U COMMON)	R	PWR	GND (5U COMMON)
15	PWR	GND (5U COMMON)	S	PWR	GND (5U COMMON)
16	OUT	CLOCK OUT (OPTION)	T	OUT	7-SEG (0=HR)
17	OUT	7-SEG BCD-A (0=2^0)	U	OUT	7-SEG (0=TEN, MIN)
18	OUT	7-SEG BCD-D (1=2^3)	V	---	---
19	OUT	7-SEG BCD-C (1=2^2)	W	---	---
20	OUT	7-SEG BCD-B (1=2^1)	X	---	---
21	OUT	DIRECTION (1=FWD/0=REW)	Y	---	---
22	OUT	TACH OUT	Z	---	(RESERVED FOR FUTURE QEI USE)
23	INP	FROM QUAD ENCODER (LAG)	AA	OUT	7-SEG (UNITS, MIN)
24	INP	FROM QUAD ENCODER (LEAD)	BB	OUT	7-SEG (TEN, SEC)
25	OUT	MOTION SENSE OUT (0=FWD)	CC	OUT	7-SEG (UNITS, SEC)
26	OUT	MOTION SENSE OUT (0=REW)	DD	PU	REW LAMP
27	INP	SPEED SELECT (1=HI-SPEED)	EE	PU	FWD LAMP
28	PWR	+5U	FF	PWR	+5U



UART	UART PORT MAPPING
UART0	RS-232 TTY/CONSOLE/DEBUG PORT
UART1	RS-232 SERIAL PORT COM1
UART2	RS-232 SERIAL PORT COM2
UART3	BLUE TOOTH MODULE
UART4	MIDI IN/OUT PORT
UART5	RS-422 TO DRC1200 REMOTE
UART6	IPC TO ATMEGA88 DISPLAY MUX
UART7	IPC TO DTC-1200 CONTROLLER

SSI	SPI PORT MAPPING
SSI0	SPI TO EXPANSION SLOT (NCO)
SSI1	SD MEMORY CARD
SSI2	FLASH MEMORY S25FL127
SSI3	SPI EXPANSION PORT

I2C	I2C PORT MAPPING
I2C0	EPROM/ID MEMORY AT24CS01
I2C1	EPROM MEMORY CAT24C16



ISSUE	Professional Audio, LLC	ALPHARETTA, GA U.S.A	THIS DRAWING CONTAINS COPYRIGHT MATERIAL. THIS SHOULD NOT BE USED WITHOUT WRITTEN PERMISSION.	© 2019
DRAWN	R.STARR	TITLE	INTERFACE / POWER	REV C
CHECKED	R.STARR	DATE	9/13/2021 5:00 PM	DRG N° ED-2XXX.100
DATE	xx/xx/xx	FILE:	STC-1200-C	PAGE: 5/5