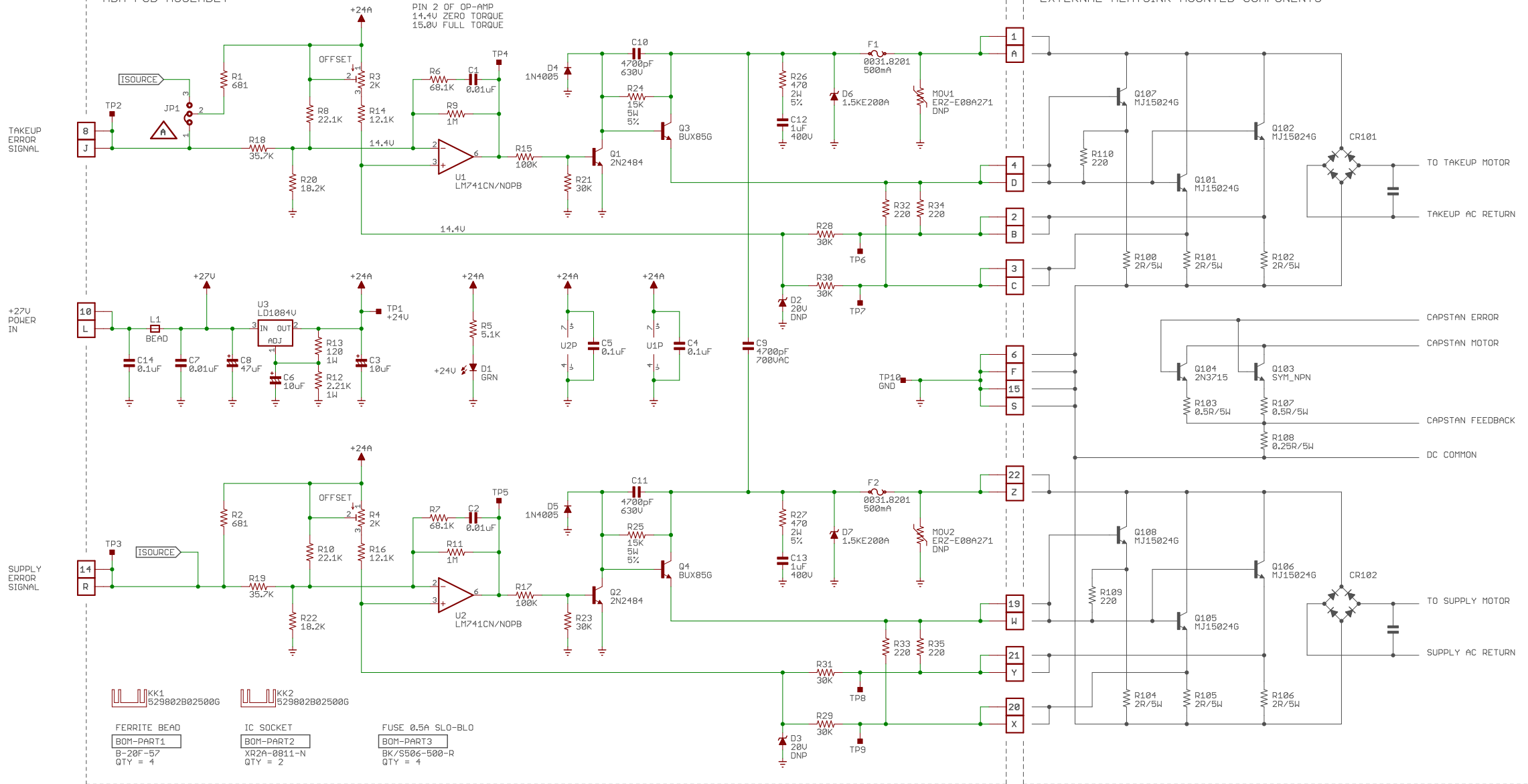


THE INFORMATION CONTAINED IN THIS DRAWING IS THE SOLE PROPERTY OF RTZ PROFESSIONAL AUDIO. ANY REPRODUCTION IN PART OR WHOLE IS STRICTLY PROHIBITED WITHOUT WRITTEN PERMISSION.

PROPRIETARY

MDA PCB ASSEMBLY

EXTERNAL HEATSINK MOUNTED COMPONENTS



- KK1 529802B02500G
- KK2 529802B02500G
- FUSE 0.5A SLO-BLO
- BOM-PART1 B-20F-5Z QTY = 4
- BOM-PART2 XR2A-0811-N QTY = 2
- BOM-PART3 BK/S506-500-R QTY = 4

JUMPER JP1 PINS 2 & 3 FOR AMPLEX TENSION KIT. OTHERWISE, JUMPER PINS 1 & 2 FOR DTC-1200 AND STANDARD AMPLEX TRANSPORT CONTROLLER.

ISSUE	Professional Audio, LLC ALPHARETTA, GA U.S.A.	THIS DRAWING CONTAINS COPYRIGHT MATERIAL AND SHOULD NOT BE USED WITHOUT WRITTEN PERMISSION.	© 2016
DRAWN	TITLE		REV
RES	4840393 MOTOR DRIVE AMP		B
CHECKED	DATE	DRG No	
RES	5/21/2018 5:30 PM	ED-2XXX.100	
DATE	FILE: 4840393-B	PAGE: 1/1	
XX/XX/XX			