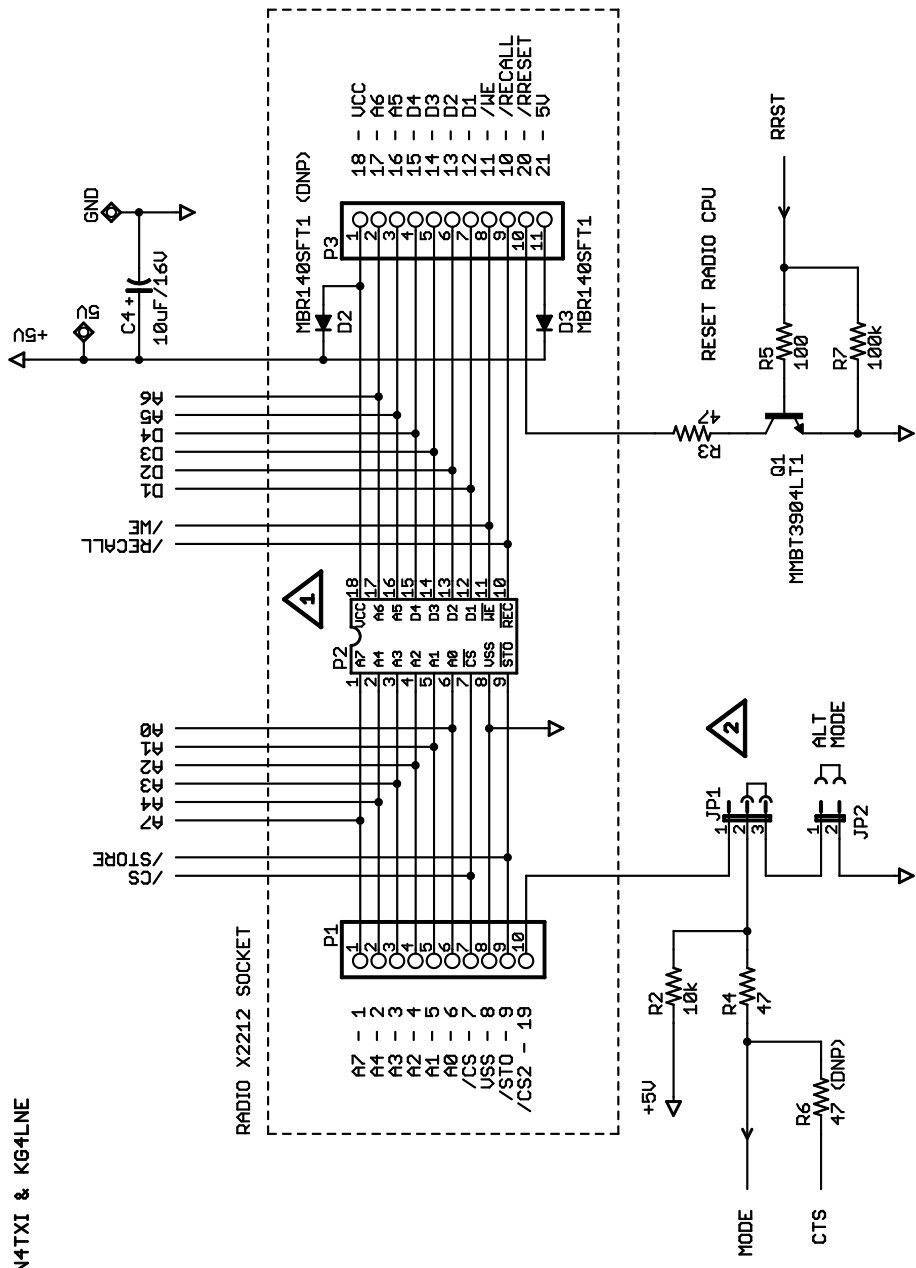
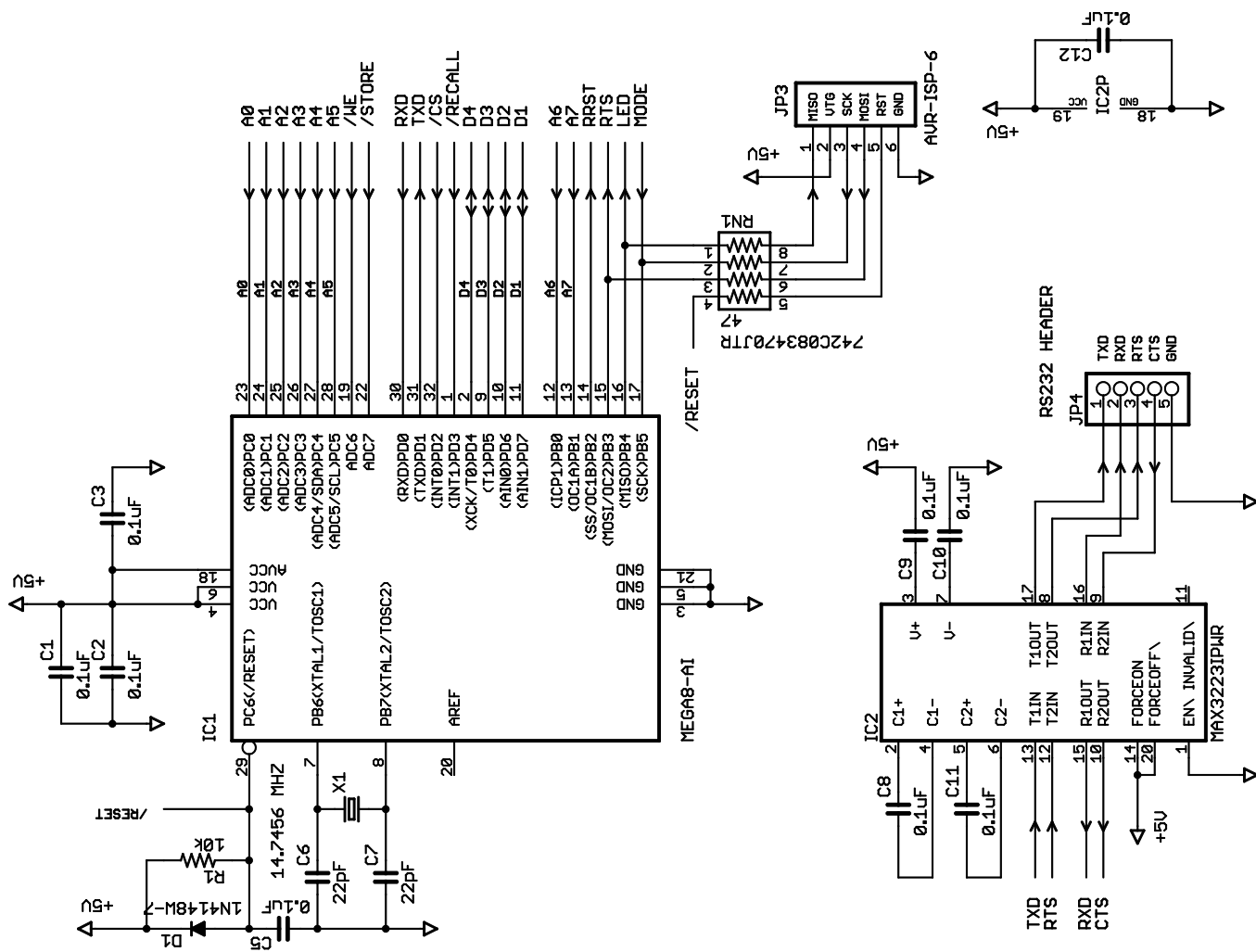


X2212 EEPROM EMULATOR

BY
N4TXI & KG4LNE



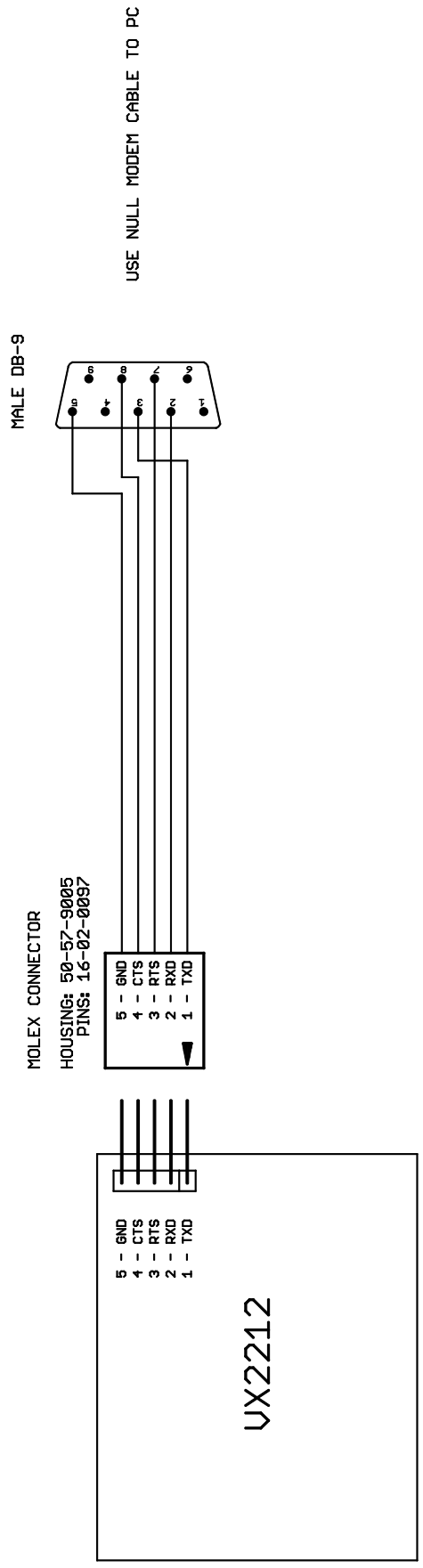
SPECIAL NOTE!!

1. UNITS EQUIPPED WITH DISPLAY REQUIRE A 10K PULLDOWN RESISTOR FROM PIN 8 TO PIN 18 ON P2! THE ORIGINAL PROM ACTS A PULLDOWN FOR THE DISPLAY LATCH!

2. JUMPER DEFAULT 2-3 TO ENABLE JP3 ALT MODE SELECT. JUMPER 1-2 FOR /CS2 (FROM RADIO CPU) MODE SELECTION.

ISSUE	KG4LNE	ALPHARETTA, GA U.S.A.	© 2005	REV	A
DRAWN				TITLE	X2212 EEPROM EMULATOR
RES				DATE	3/16/2007 02:09:17p
CHECKED				DRG No	
GND				FILE: UX2212-REV-A	
DATE	03/01/06			PAGE: 1/2	

SERIAL CABLE WIRING DIAGRAM



ISSUE	K64LINE	ALPHARETTA, 6A U.S.A.	© 2005	THIS DRAWING CONTAINS PROPRIETARY INFORMATION AND SHOULD NOT BE USED WITHOUT WRITTEN PERMISSION.
DRAWN	REV			
RES	A			
CHECKED	TITLE X2212 EEPROM EMULATOR			
GND	DATE 3/16/2007 02:09:17p			
DATE	DRG No			
03/01/06	FILE: UX2212-REV-A			
				PAGE: 2/2